

Model: JSMA-PIH150AAK

No.	Item	Symbol	Unit	Specification	No.	Item	Symbol	Unit	Specification
1	Drive	-	-	3 φ 220VAC	13	Rotor Inertia	J-M	kg-cm <sup>2</sup>	222.2±10%
2	Cooling Method	-	-	Totally Enclosed	14	Rated Power Rate	Q-R	Kw/s	410.5
3	Exciting Method	-	-	Permanent Magnet	15	Resistance	Ra	Ω	0.034±10%/2 φ
4	Resolution	-	-	17 bit ABS	16	Inductance	L	mH	0.99±10%/2 φ
5	Rated Output	P-R	KW	15	17	Mech. Time Constant	Tm	ms	0.68±10%
6	Rated Torque	T-R	N-m	95.5	18	Elect. Time Constant	Te	ms	29.12±10%
7	Max. Torque	T-max	N-m	204	19	Insulation Class	-	-	Class F
8	Rated Speed	N-R	rpm	1500	20	Operation Temp.	T	°C	0~40
9	Rated Current	I-R	A	78.0	21	Operation Humd.	RH	%	<80
10	Max. Current	I-max	A	170.0	22	Storage Temp.	T	°C	-20°~60°
11	Torque Constant	Kt	N-m/A	1.22±10%	23	Storage Humd.	RH	%	<80
12	Ke constant	Ke	V/Krpm	83.1±10%/2 φ	24	Weight	W	kgw	70.5

Pin	Signal
B	+5V
I	0V
A	VB+
C	VB-
H	SD+
D	SD-
G	
E	
F	FG

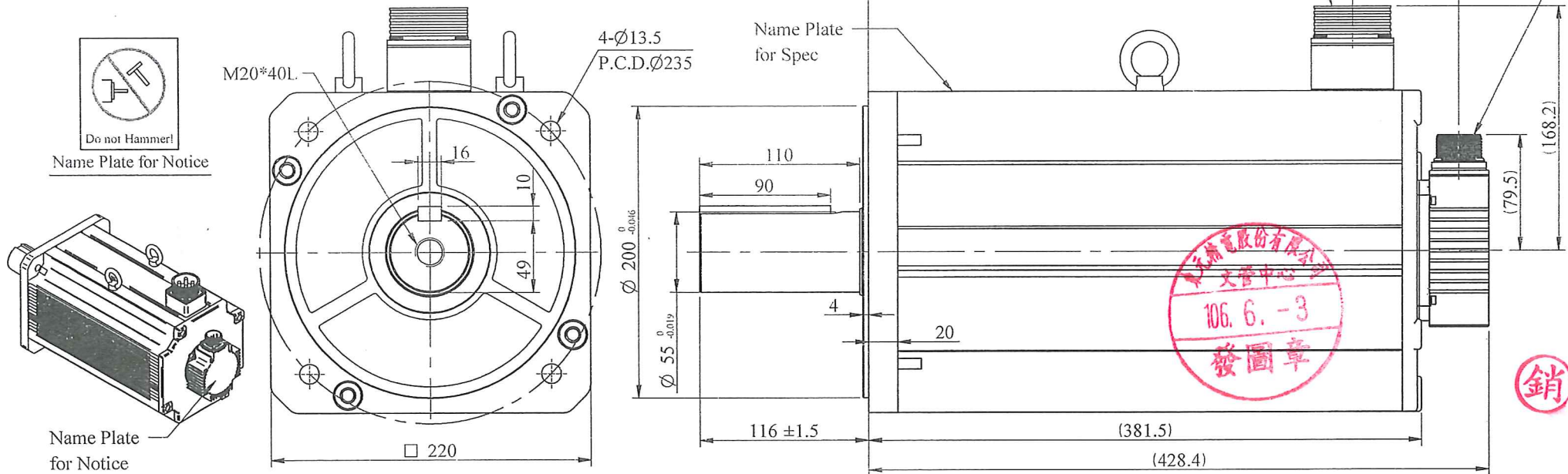
Encoder Wiring

PIN	Signal
A	U
B	V
C	W
D	FG

Motor Wiring

Note:

- Motor to be IP67.(excluding the shaft opening & connectors)
- The detail of Name plate for Spec. refers to the file DC-JXE-002.



STANDARD TOLERANCE					APVD	Michelle	5-18-17	SCALE	3/10	UNIT	mm	NAME	Servo Motor Outline Drawing	
X	±0.5				CHKD			3RD .A.P		TITLE	JSMA-PIH150AAK			
.X	±0.2				CHKD									
.XX	±0.05				DWN	Chase	05-09-17			Dept. Design	DWG.NO.	D01E22153H3N3AD01		
ANGLE	±30'													
MATERIAL		REV	DESCRIPTION	SIGNATURE	DATE	SIGNATURE	DATE							